



**MARCO DESIGNS, BUILDS, INSTALLS,
COMMISSIONS & SERVICES YARD STACKING
CONVEYORS FOR THE AGGREGATE INDUSTRY**

MARCO is uniquely positioned to provide the Material Handling industry with a selection of yard stackers that optimizes both productivity and conveyor life. The **MARCO** family of stackers is constructed of tubular components utilized in much larger solutions and provides capabilities from fixed elevation to radial elevating to heavy duty structure stackers for use in all yard applications.

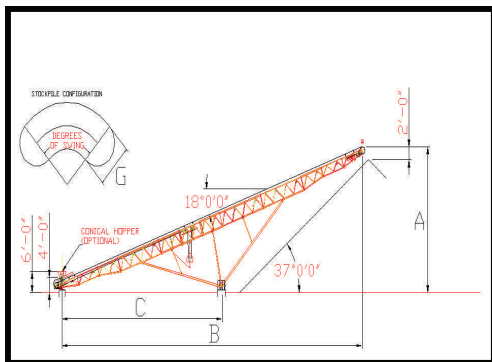
**O
V
E
R

70+

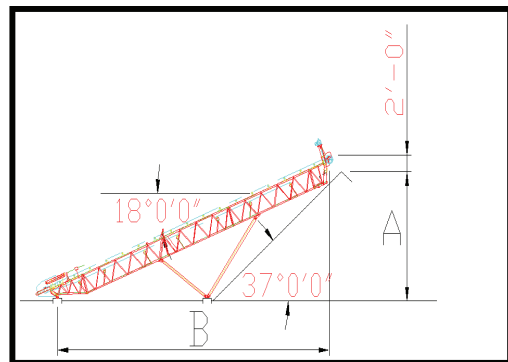
Y
E
A
R
S**



**A PRODUCTIVE PAIR OF MARCO MODEL 680s HAVE
CAPACITY, STRENGTH AND DURABILITY!**



**FIXED ELEVATION RADIAL
STACKER MODEL 636**



**FIXED ELEVATION
STACKER MODEL 680**

YARD STACKER CONVEYOR MODEL(S): 636, 680

CONVEYOR LENGTH	24" TPH	30" TPH	36" TPH	STOCK-PILE HEIGHT	FEET PER MINUTE	PIVOT TO HEAD SHAFT	RUN-WAY RADIUS	DIAMETER OF END CONE	TONS PER DEGREE OF SWING	TONS IN END CONE
60 FT.	350	500	750	18'-10"	350	54'-2"	30'-0"	50'-6"	23	635
70 FT.	350	500	750	22'-0"	350	63'-9"	35'-0"	58'-6"	36	985
80 FT.	350	500	750	25'-5"	350	73'-5"	40'-0"	68'-0"	54	1,445
90 FT.	350	500	750	28'-6"	350	82'-11"	45'-0"	76'-0"	76	2,031
100 FT.	350	500	750	31'-7"	350	92'-6"	50'-0"	84'-0"	105	2,730
125 FT.	350	500	750	39'-4"	350	116'-3"	62'-6"	105'-0"	213	5,920

STANDARD FEATURES:

- Head Pulley with Vulcanized Lagging XT Hubs and Bushings.
- Tail Pulley (Self Cleaning) with XT Hubs and Bushings
- Idlers—Sealed Bearings CEMA B5 Carrier and Return
- Motor - 1800 RPM T.E.F.C. 230/460 Volt
- Reducer - Class II
- Gravity Take-Up with Saddle Bag Weight Boxes
- Screw Take-Up (50' - 100' Models)
- MARCO Paint System (Gray, Green or White)

OPTIONAL FEATURES:

- Power Propelling Drives—Model 636 only
- Conical Loading Hopper—Model 636 only
- 24" Wide Full Length Walkway with Galvanized Decking
- Idlers - Sealed Bearing CEMA C5, D5
- Conveyor Belt - 3 Ply (Spliced or Vulcanized)
- Conveyor Carrier Belt Covers
- Belt Wiper

Continental Manufacturing Company

2275 Cassens Court, Ste 105
 St Louis Missouri 63026
 Phone: (800) 777-5852 or (636) 680-2031
 Fax (636) 680-2037
 Email: info@MarcoSolutions.net
www.MarcoSolutions.net